

## ▶▶▶ Video Conference Cameras

### UV80C Video Conference Camera

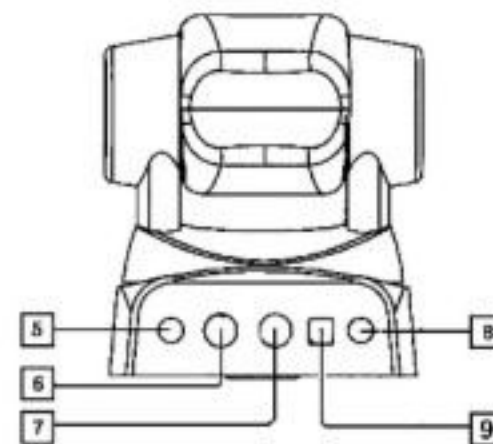
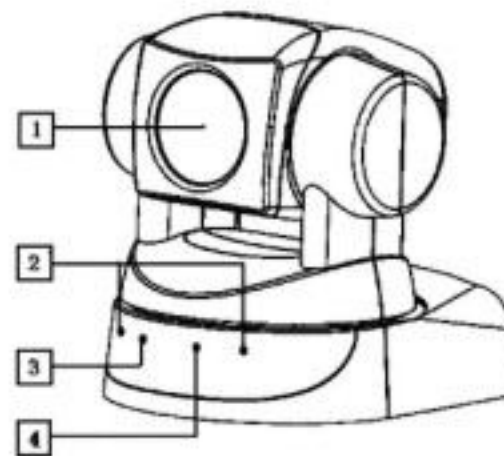
#### Camera Features:

- Integrated design, smart and attractive appearance
- 128 presets, with precision error less than 0.1°
- Accurate motor driving, smart operation, accurate orientation
- Unique 360° continuous rotation, Pan angle of view 60°
- Can select multi control system, support remote control, RS-232, RS-485 control
- Compound video and S-video output modes
- In-built menu to set the function of camera, pan& tilt
- Pattern track running memory mode: can record preset, standard P/T/Z control track
- Alterable auto scan speed: can be set to 1~40 degree by in-built menu
- Alterable lens zooming control speed: can be set to 1~7 grade by in-built menu
- Powering up state setting: can be set by in-built menu
- Pan manual control speed: 0.1~150° /sec
- Tilt manual control speed: 0.1~60° /sec
- Protocol: PELCO-P and PELCO-D self adaptable, VISCA protocol
- Baud rate: 1200, 2400, 4800, 9600b
- Real time displays the pan& tilt degree
- RS485 feed back the orientation of the pan& tilt
- Multi install mode can be selected
- Working voltage: DC12V, 2A
- rated power: 12W



#### Main Camera Position Drawing

- 1、 lens
- 2、 remote controller sensor
- 3、 Power indicator light
- 4、 remote controller receiving indicator light
- 5、 Video jack
- 6、 S-Video jack
- 7、 VISCA IN jack
- 8、 DC12V(12VDC input) jack
- 9、 baud rate dial switch



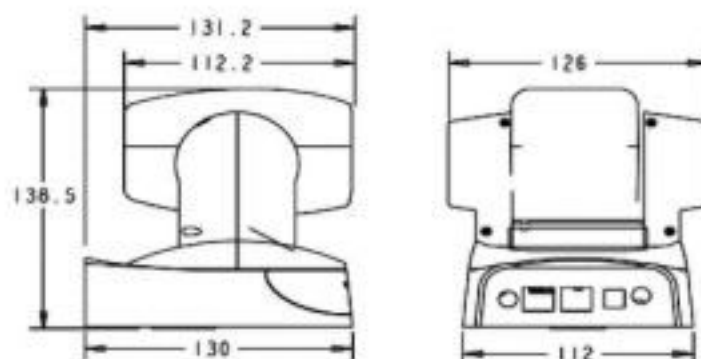
▲ Dimension Drawing (unit: MM)

#### Structure

Dome cover	PC plastic
Dome drive	Al-alloy
Weight (approximate)	1.5kg
Operation Environment	indoor
Working temperature	0℃ ~ 50℃ (Indoor)

### Mechanical Parameter

Pan running	360° continuous pan rotation	Tilt speed	0.1° ~ 60° /sec
Tilt running	60° tilt rotation	Preset control speed	
Manual control speed		Pan speed	250° /se
Pan speed	0.1° ~ 150° /sec	Tilt speed	60° /sec



▲ Dimension Drawing (unit: MM)

### Camera Parameter

models	UV80C18N	UV80C18E
Video signal	NTSC	PAL
CCD	1/4 inch	
Resolution	520TVL	480 TVL
Pixel	811(H) X 508(V)	795(H) X 596(V)
Scan system	525 lines, 60 fields/sec	625 lines, 50 fields/sec
SYNC	Built-in sync	
Sensitivity	Normal	1.0Lux
	Star night	0.07Lux
S/N Ratio	48dB	
White balance	AUTO	
BLC	AUTO / MANUAL	
Gamma Calibration	0.45 / 1	
AGC	AUTO	
Electric shutter	AUTO / MANUAL 1/60 (1/50)~1/120.000 secretary.	
Lens	F1.4(f=4.1-73.8mm)	
Zoom	216X (18X OPTICAL 12X DIGITAL)	
Focus	AUTO / MANUAL	
Video out	YIC output, compound video output : 1.0Vp-pat 75 ohm	
Date interface	RS-232,485	
Working temperature	0°C~50°C	
Power	DC12V	

### Order Model Number

Model No.	18 × color	18 × low lux
On desk	UV80C18	
In-ceiling mount		UV80C18L

Maahantuonti ja markkinointi:  
 EP-Engineering Oy MediaSolution  
 PL 115, 01801 Klaukkala  
 p. 09-879 56390, fax 09-879 5448  
 info@mediasolution.fi, www.mediasolution.fi